





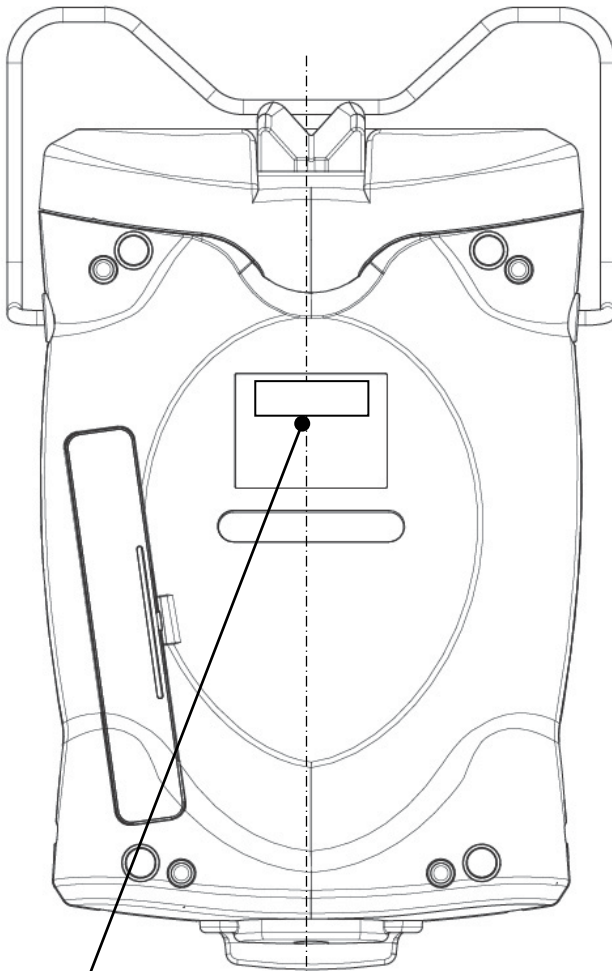


Document number: MPDM3*xSL003 (Rev.2.1)	Section: Optical Development Dept.,		
Document title :  <b>PM-700 Product Labeling Instruction For Outside Japan</b>	Approved	Reviewed	Prepared by
	Oda <small>April 17, 2018</small>	Kanazawa <small>April 16, 2018</small>	Shimazaki <small>April 12, 2018</small>

Description	Part No.	Labeling method	Labeling position	Applied standard (regulation) of symbol and details of label
ID label (Outside Japan)	35241-M032-C1	Adhesion of labels	P.2 (1)	ISO 15004-1:2006
				IEC 60601-1: 2005
				 0123 DIRECTIVE 93/42/EEC ANNEX XII
				 DIRECTIVE 2002/96/EC ANNEX IV
				 IEC 60601-1:2005 Annex D No.11
				 IEC 60601-1:2005 Annex D No.19
				 ISO15223-1:2012, No.5.1.1
				 ISO15223-1:2012, No.5.1.3
NIDEK mark □12	35481-M037-A1	Adhesion of labels	P.3 (3)	
Measurement value RIGHT/LEFT	35241-M012-A1	Print	P.3 (4)	
Power supply mark	35241-M007-A1	Print	P.3 (5)	IEC/TR 60878: 2003
R / L switching	35241-M008-A1	Print	P.3 (6)	
Work distance setting	35241-M009-A1	Print	P.3 (7)	
Battery type, insertion method	35241-M003-B0	Molding	P.4 (8)	IEC 60601-1: 2005

Labeling Position



(1) 35241-M032-C1

	<b>PM-700</b>		
	PD METER PUPILÓMETRO PUPILLOMETRE PD-MESSER INTERPUPILLOMETRO		
S/N. 2NNNNNN			0123
BATTERY: LR6 x 2 YYYYY			
<b>NIDEK CO., LTD.</b>			
34-14 MAEHAMA HIROISHI-CHO GAMAGORI AICHI 443-0038 JAPAN		Rx only	
MADE IN JAPAN		35241-M032-C1	

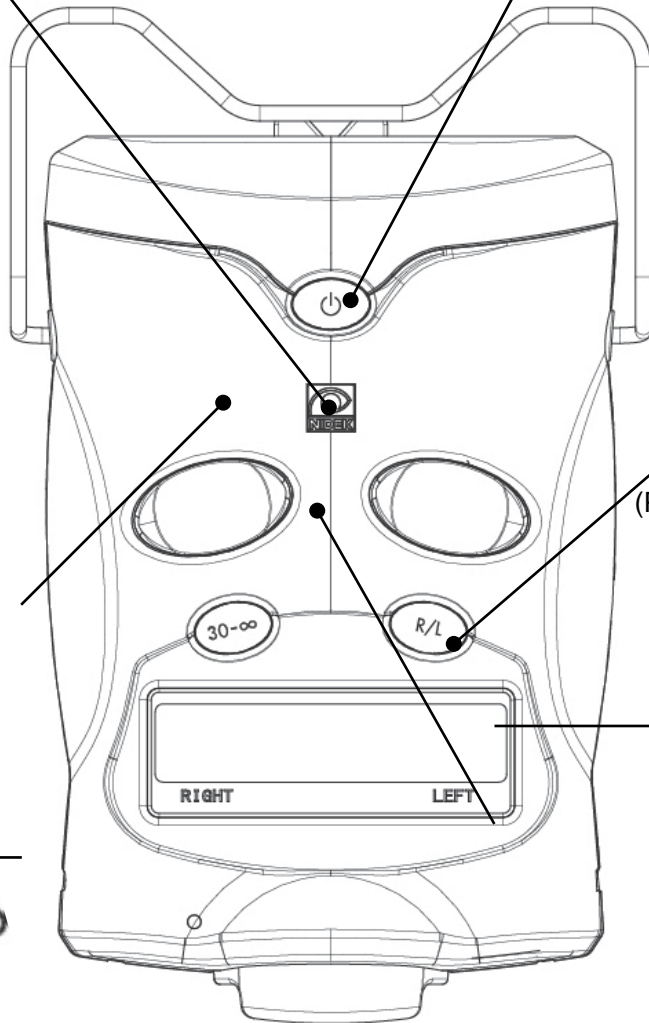
Labeling Position

(3) 35481-M037-A1



(5) 35241-M007-A1

(Print content)



(6) 35241-M008-A1

(Print content)

R/L

(7) 35241-M009-A1

(Print content)

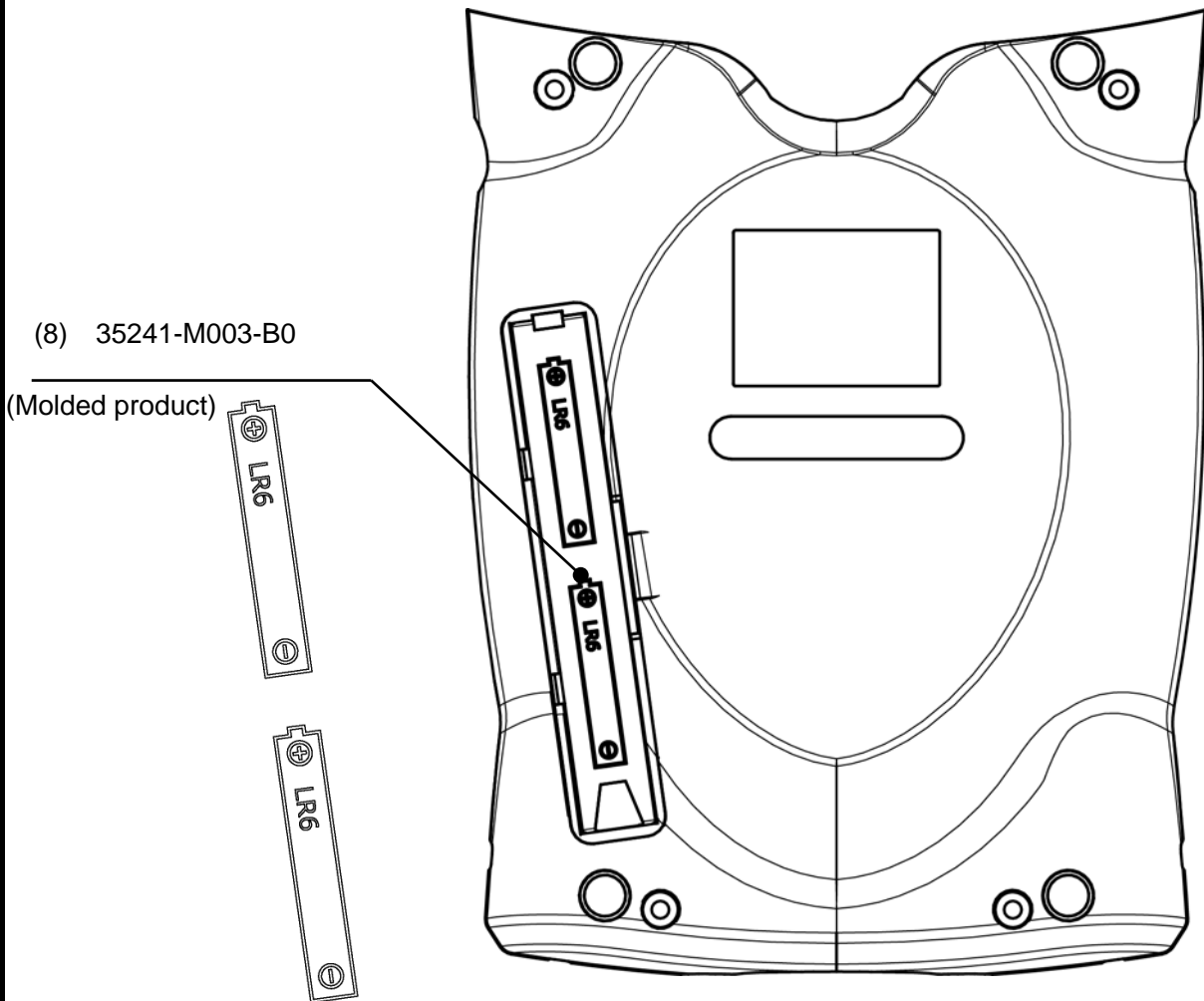
30-∞

(4) 35241-M012-A1

(Print content)

RIGHT LEFT

Labeling Position



Document number: MPDM3*xSL003(Rev.2.1)	Prepared on: April 12, 2018
--	-----------------------------

## Revision history

Establishment/Revision Prepared on	Document No.:	Descriptions/Reasons
November 5, 2014	MPDM3*RSL003A	Establishment
January 23, 2015	MPDM3*RSL003B	Revision * Addition of design change number to each part number * Correction of "applied standard (regulation) of symbol and details of label" * 35241-M032 (P.2 (1) image update * Added "Battery format, insertion method" (P.4 (9) )
December 21, 2015	MPDM3*RSL003C	Revision (According to Design Change Plan:MPDM3*RMZ013) * 35241 - M 032 revision (P.2 (1) ) C0 → C1 * 35465-M050 deletion(P.2)
September 8, 2017	MPDM3*xSL003 (Rev. 1.0)	Revision * Change of form * P.2 (2) Deletion of pasting position indication image of 35241-M042-A1 Addition of center line to image (Design Change Control No.: DES-2017-0212)
September 25, 2017	MPDM3*xSL003 (Rev.2.0)	Revision * (2) Delete 35241-M 042 (Design Change Control No.: DES-2017-0196)
April 12, 2018	MPDM3*xSL003 (Rev.2.1)	Revision * Delete EN 980 (Design Change Control No.: DES-2018-0038)