

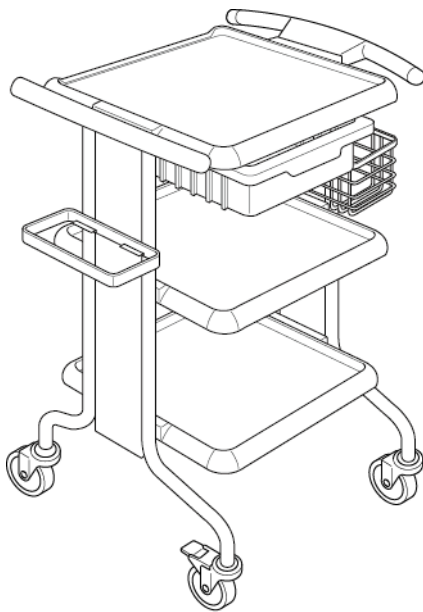
## INSTRUCTION MANUAL

KY-703N, 702D, 703C, 702P

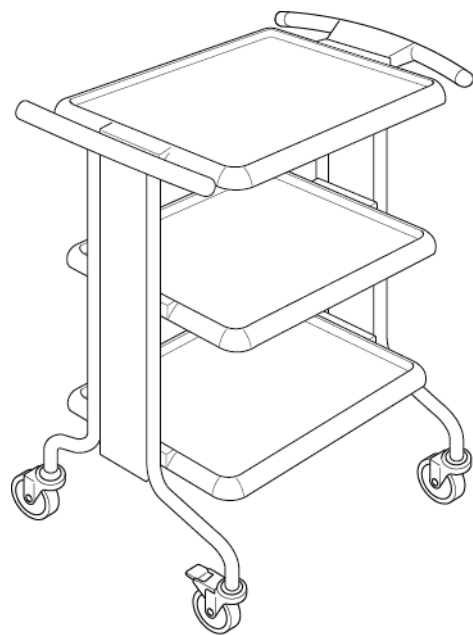
KY-713N, 712D, 713C

7F07938500A1E

# Personal Wagon Carry Wagon



KY-703C



KY-713N

**Preface**

Thank you for your purchase of the **Personal Carry Wagon** (hereinafter called the "wagon").

This Instruction Manual describes precautions and the assembly method for safe use of the wagon.

- **To ensure safe and proper use of the wagon, be sure to read this Instruction Manual before use.**
- **After reading this instruction manual, store it in a place that can be easily accessed for later reference.**
- Some of the descriptions in this instruction manual may differ from the product you have purchased due to model refinements.
- Values described for operation range, dimensions, angle, or mass may include some errors.
- Excluding special cases, in this Instruction Manual for display purposes words such as approximately, about, etc. are omitted.
- Contact your dealer or Paramount Bed dealer for any queries.

# INDEX

---

- 1 INTENDED USE / PART NAMES** ..... 2
- 2 SAFETY PRECAUTIONS** ..... 3 – 4
- 3 CHECKING THE PARTS** ..... 5 – 6
- 4 ASSEMBLY PROCEDURE** ..... 7 – 8
- 5 CASTERS** ..... 8
- 6 SPECIFICATIONS** ..... 9
- 7 REGULAR INSPECTION AND DAILY MAINTENANCE** ..... 9
- 8 LONG-TERM STORAGE** ..... 10
- 9 AFTER-SALES SERVICE** ..... 10

# 1 INTENDED USE / PART NAMES

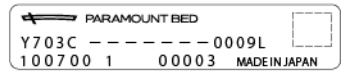
## ■ INTENDED USE

- This Personal Carry Wagon is created for the purpose of carrying medical devices or for use as a work table in medical facilities, etc.

## ■ PART NAMES

\* This illustration uses KY-703C model for explanation.

Product ID label  
(Affixed on the surface of the upper tray)



\* The model number of wagon is written on the product ID label. Y703C → KY-703C is indicated.

Accessory holder (KY-7B)  
\* Parts other than KY-703C and 713C are sold separately  
Drawer



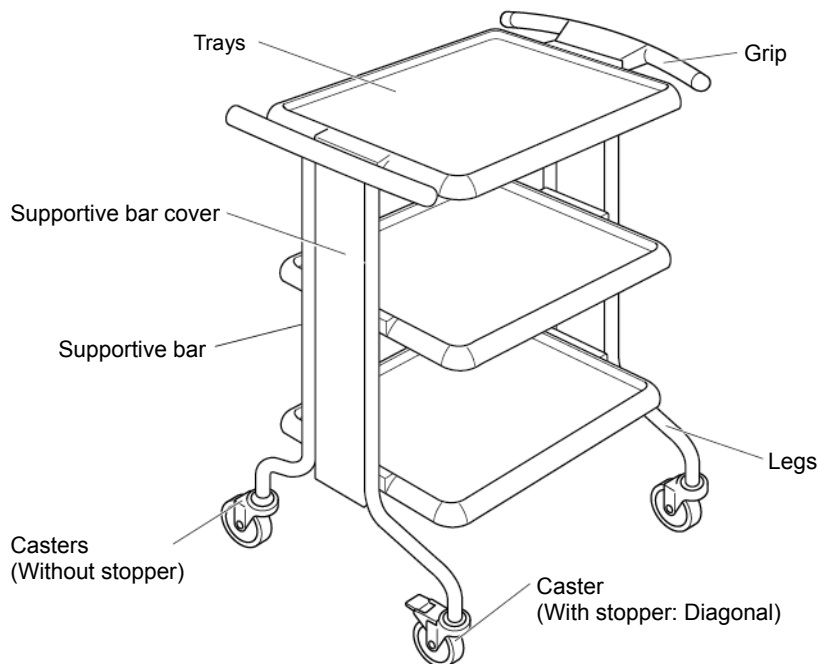
Safety label  
(Affixed on the surface of the upper tray. \*Actual label is written in Japanese.)

Dust holder (KY-7A)  
\* Parts other than KY-703C and 713C are sold separately

Product ID label  
(Affixed on the bottom of the supportive bar)



\* This illustration uses KY-713N model for explanation.



### [Safety label]

- Of the precaution items, labels for items that need particular attention are affixed on the upper tray. Do not remove or deface any labels.
- If the safety label is removed or defaced, replace with a new one obtained from your dealer.

## 2 SAFETY PRECAUTIONS



### WARNING

Indicates that improper handling by ignoring this indication could cause death or serious injury (broken bones, pressure, or paralysis).

- **Do not use the wagon for purposes other than those for which it is intended**
  - Do not use for a purpose such as a handrail or walker. There is a risk of injury due to falling over, or the wagon could be damaged or deformed.
- **Be sure not to allow tubes (drain), hands or arms to get caught in the gap between the grip and tray**
  - The tube (drain) may be crushed and there is a risk of injury due to being pulled when the wagon is moved.
  - There is a risk that hands and arms may get caught, resulting in injury.
- **Do not put your foot on or get on the wagon**
  - The wagon could fall over, resulting in injury, or it could be damaged or deformed.
- **Do not use the wagon in such a way that the center of gravity is placed on one side of the supportive bar or grip**
  - There is a risk of injury caused by falling down due to a loss of balance.
- **When moving the wagon, be sure not to allow objects to fall off the tray**
  - Falling objects could cause unexpected injury or the objects themselves could be damaged or deformed.
  - In particular, when a tall object is placed on the wagon, secure it to keep it from falling.
- **When the wagon is not being moved, lock the casters**
  - The wagon may move unexpectedly and could hit someone, causing injury, or the wagon could be damaged.
- **Do not use the wagon on a slippery floor**
  - Do not use the wagon on a dusty or watery floor or a floor made of slippery material. The wagon could unexpectedly rotate, resulting in injury due to falling off.
- **Be careful when using the wagon on a slope or a place with steps**
  - The wagon could fall over, resulting in injury, or it could be damaged or deformed.
- **Be careful not to allow clothing to be caught by the grip**
  - When a sleeve or pocket is caught, the wagon could move unexpectedly, causing a loss of balance. As a result, there is a risk of injury due to falling over, or the wagon could be damaged.
- **Do not use the product near thermal appliances (heaters, etc.) or in a location exposed to direct sunlight**
  - Otherwise, the wagon may be damaged or deformed, or even catch fire.
- **Do not repair or modify the product or its components by yourself**
  - Doing so could cause unexpected injury or damage.



## WARNING

Indicates that improper handling by ignoring this indication could cause death or serious injury (broken bones, pressure, or paralysis).

### ■ Do not place hands on the wagon with the drawer pulled out

- The wagon could fall over, resulting in injury, or it could be damaged or deformed.

### ■ When moving the wagon, pay attention not to hit people, surrounding objects or walls

- There is a risk of injury.
- The wagon or wall could be damaged or deformed.

### ■ Be careful not to let the foot being caught by the leg part

- The wagon could fall over, resulting in injury, or it could be damaged or deformed.

### ■ Do not leave the wagon if there is fluid on it

- If fluid (blood, drug solution, water, etc.) is adhering to or spilled on the wagon, wipe off with a dry cloth immediately and do not leave it. There is a risk of transmission of infectious disease and the wagon could be damaged or deformed.

### ■ For products directly attached to the wagon, use only products specified by Paramount (dust holder: KY-7A, accessory holder: KY-7B, side case: KS-21K)

- The use of products other than the specified suitable products or products from other companies could create unintended gaps, cause interference between products, or lower stability, resulting in injury or failure of the wagon. \* KY-703C and 713C include the dust holder (KY-7A) and accessory holder (KY-7B).



## CAUTION

Indicates that improper handling by ignoring this indication could cause light personal injury (bruises, scratches, or cuts) or property damage.

### ■ Do not put on the wagon or in the wagon heavy objects exceeding the following weights

- The wagon could fall over, resulting in injury, or it could be damaged or deformed.
- The maximum loading weight of the wagon is 60 kg.
  - Objects exceeding 20 kg on the tray (one tray).
  - Objects exceeding 2 kg in the drawer (one drawer).
  - Objects exceeding 1 kg on the dust holder (KY-7A: sold separately). \*It comes with KY-703C and 713C.
  - Objects exceeding 1 kg on the accessory holder (KY-7B: separately sold). \*It comes with KY-703C and 713C.

### ■ Be careful not to hit feet with the bolts and nuts of the casters

- There is a risk of injury.

### ■ Do not place a heated water pot or other hot object directly on the tray

- The tray heat resistance temperature is 60°C. Do not directly place on the tray hot objects exceeding this temperature. This may cause damage and deformation.

### ■ Do not spray a spray-type insecticide directly on the wagon

- There is a risk that the solvents contained in insecticide may damage, discolor, or dissolve casters or other resin parts of the wagon. Further, damaged or dissolved parts could cause accidental injury.

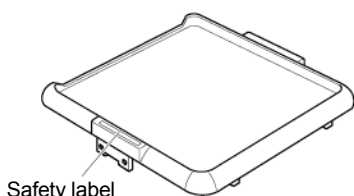
### ■ Do not place the leg of the wagon under the bed

- When adjusting the bed height, the leg of the wagon could get caught, causing the wagon to fall, possibly causing it to be damaged or deformed.

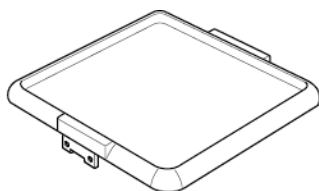
### 3 CHECKING PARTS

■ After unpacking the product, check that there are no missing or damaged parts. If any parts are missing or damaged, contact your dealer or Paramount Bed dealer.

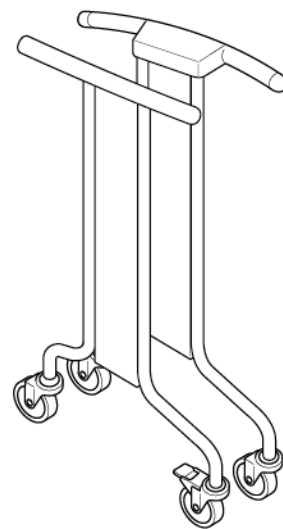
\* The number of parts depends on the type of the product; for details, refer to the Configuration Table.



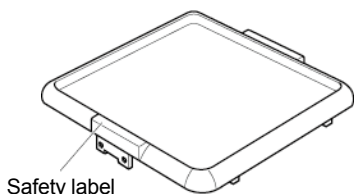
Safety label  
Upper tray  
\* Personal wagon  
(KY-703N/702D/703C/702P)



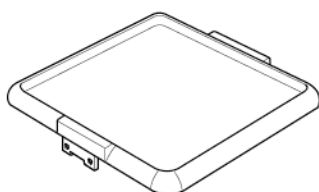
Middle tray  
\* Only Included in KY-703N, 703C, 713N, and 713C



Supportive bar



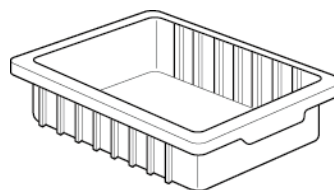
Safety label  
Upper tray  
\* Carry wagon  
(KY-713N/712D/713C)



Bottom tray



● The shape of the upper tray of the personal wagon and carry wagon are different.



Drawer (with one partition board)  
\* Only included in KY-702D, 703C, 702P, 712D, and 713C

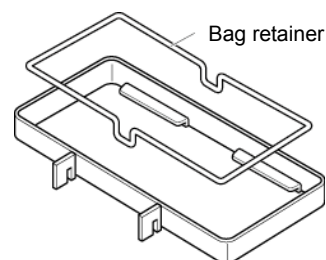


Cap bolt



Instruction manual

<KY-7A>



Bag retainer

Dust holder  
\* Only included in KY-703C and 713C

<KY-7B>



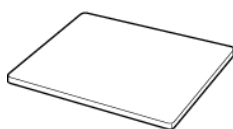
Accessory holder  
\* Only included in KY-703C and 713C

#### Required tool

\* Tools are not included. You will need to provide your own tools.

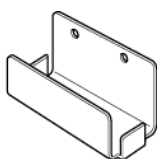


Hexagonal wrench (6 mm)



PC sheet

\* Only included in KY-702P



Cable holder

## ■ Configuration Table

| Model                    | Personal wagon |             |                |               |
|--------------------------|----------------|-------------|----------------|---------------|
|                          | KY-703N        | KY-702D     | KY-703C        | KY-702P       |
| Type                     | Basic type     | Drawer type | Treatment type | Terminal type |
|                          |                |             |                |               |
| Upper tray               | 1 tray         | 1 tray      | 1 tray         | 1 tray        |
| Middle tray              | 1 tray         | —           | 1 tray         | —             |
| Bottom tray              | 1 tray         | 1 tray      | 1 tray         | 1 tray        |
| Drawer                   | —              | 1 piece     | 1 piece        | 1 piece       |
| Cap bolt                 | 12 pieces      | 8 pieces    | 12 pieces      | 10 pieces     |
| PC cushion sheet         | —              | —           | —              | 1 piece       |
| Cable holder             | —              | —           | —              | 1 piece       |
| Supportive bar           | 2 pieces       | 2 pieces    | 2 pieces       | 2 pieces      |
| Dust holder (KY-7A)      | —              | —           | 1 set          | —             |
| Accessory holder (KY-7B) | —              | —           | 1 set          | —             |

| Model                    | Carry wagon |             |                |
|--------------------------|-------------|-------------|----------------|
|                          | KY-713N     | KY-712D     | KY-713C        |
| Type                     | Basic type  | Drawer type | Treatment type |
|                          |             |             |                |
| Upper tray               | 1 tray      | 1 tray      | 1 tray         |
| Middle tray              | 1 tray      | —           | 1 tray         |
| Bottom tray              | 1 tray      | 1 tray      | 1 tray         |
| Drawer                   | —           | 2 piece     | 2 piece        |
| Cap bolt                 | 12 pieces   | 8 pieces    | 12 pieces      |
| PC cushion sheet         | —           | —           | —              |
| Cable holder             | —           | —           | —              |
| Supportive bar           | 2 pieces    | 2 pieces    | 2 pieces       |
| Dust holder (KY-7A)      | —           | —           | 1 set          |
| Accessory holder (KY-7B) | —           | —           | 1 set          |

\* The dust holder (KY-7A) and accessory holder (KY-7B) are sold as options and can be attached to wagons other than the KY-703C and 713C types.

# 4 ASSEMBLY PROCEDURE



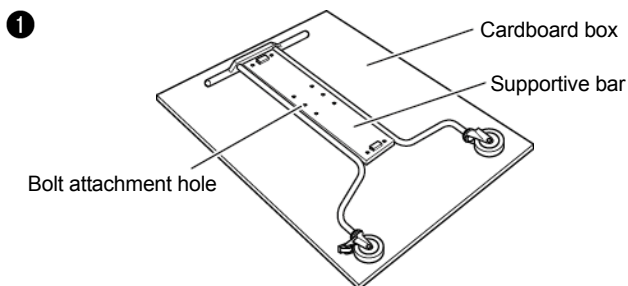
## WARNING

- Be careful when handling parts for assembling the wagon. There is a risk of injury due to falling parts or getting parts of the body caught in the parts.
- After assembly, be sure to check that there is no rattling and that all screws are properly tightened. There is a risk of injury due to falling over, or the wagon could be damaged or deformed.

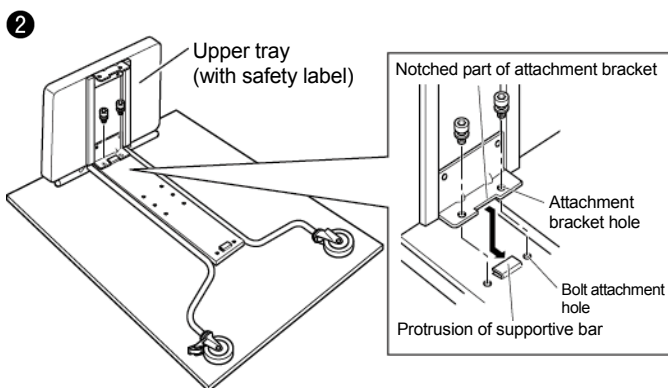
## ■ Assembling the Wagon



- When assembling the wagon, place a cardboard box or similar protective material on a level floor.
- Do not use cap bolts other than those included with the product.



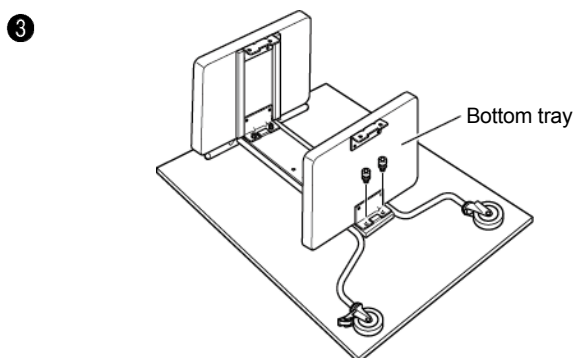
- 1 Refer to the figure on the left to place the supportive bar with the bolt attachment hole upward.



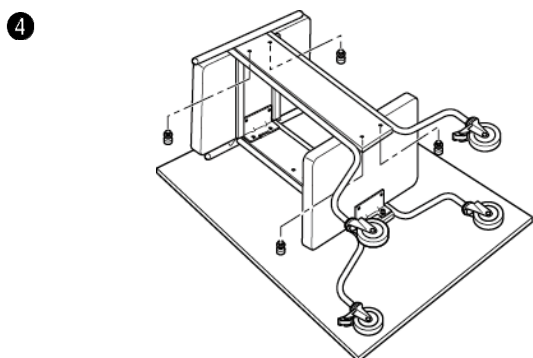
- 2 As shown in the figure, hook the notched part of the attachment bracket of the upper tray (with safety label) to the protrusion of the supportive bar and align the position of the attachment bracket holes of the upper tray against the bolt attachment holes, then use the cap bolts to fix temporarily in place. (2 locations)



- Attach the upper tray (with safety label) in such a way that it comes to the top (the grip side) of the supportive bar.



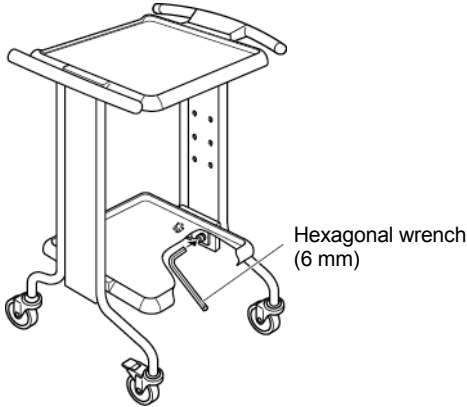
- 3 In the same way as 2, use the cap bolts to fix the bottom tray temporarily. (2 locations)



- 4 Place the other supportive bar on the upper and bottom trays with the bolt attachment holes downward and in the same way as 2 3, hook the protrusion of the supportive bar to the notched part of the attachment bracket of the upper and bottom trays, then align the position of the attachment bracket holes of the upper and bottom trays against the bolt attachment holes and use the cap bolts to fix temporarily in place. (4 locations)



5



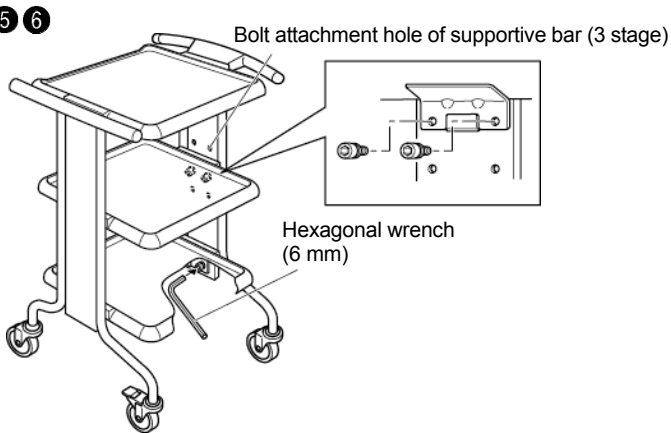
**KY-702D/KY-712D/KY-702P (2-stage type)**

- 5 Stand the wagon up and use the hexagonal wrench (6 mm) to firmly secure the cap bolts that were temporarily fixed in steps 2, 3 and 4. (8 locations)

**KY-703N/KY-703C/KY-713N/KY-713C (3-stage type)**

- 5 After standing up the wagon, align the position of the attachment bracket holes of the middle tray and the bolt attachment holes of the supportive bar and use the cap bolts to fix temporarily in place. (2 locations each on the left and right)

5 6



- 6 Use a hexagonal wrench (6 mm) to firmly secure the cap bolts that were temporarily fixed in place in steps 2, 3, 4 and 5. (12 locations)

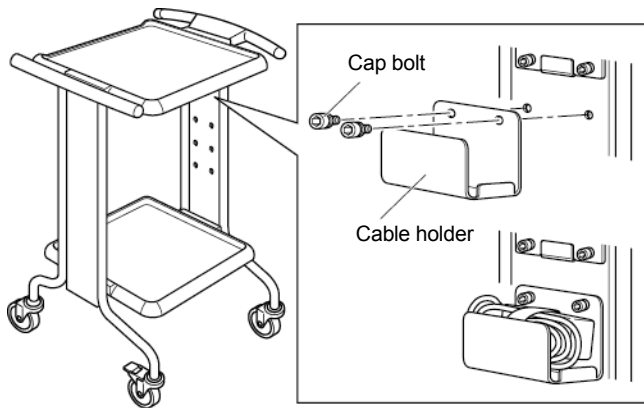


● The recommended tightening torque of the cap bolts is 10 N·m.

**[Cable holder attachment and usage] \* KY-702P only**

- 1 Align the position of the attachment holes of the cable holder against the bolt attachment holes and use the cap bolts to fix temporarily in place.
- 2 Use the hexagonal wrench (6 mm) to firmly secure the cap bolts that were temporarily fixed in place in step 1.

**[Attaching the cable holder]**



● The recommended tightening torque of the cap bolts is 10 N·m.

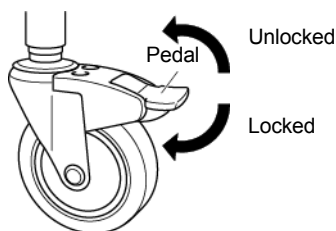
- 3 Bundle and place the AC adapter cable of the notebook PC.

**[How to use the PC sheet]**

- Lay the sheet on the upper tray and place the notebook PC on it. The position of the PC becomes higher, which prevents broken wires that could be caused when the cable contacts the corner of the tray, and also reduces vibration of the PC when the wagon is moved.

**5 CASTERS**

**■ Locking the Caster**



- Lower the pedal to lock and raise the pedal to unlock it.

## 6 SPECIFICATIONS

| Product name                    |              | Personal wagon   |                              |         |         | Carry wagon                   |                              |         |
|---------------------------------|--------------|--|------------------------------|---------|---------|-------------------------------|------------------------------|---------|
| Model No.                       |              | KY-703N  | KY-702D                      | KY-702P | KY-703C | KY-713N                       | KY-712D                      | KY-713C |
| Dimensions (cm)                 | Length       | 55   |                              |         |         |                               |                              |         |
|                                 | Width        | 61.4   |                              |         | 73.1    | 79.4                          |                              | 91.1    |
|                                 | Total height | 94   |                              |         |         |                               |                              |         |
| Tray: 1 tray (cm)               |              | 46.5 (L) x 45.4 (W) x 6.5 (D)  |                              |         |         | 46.5 (L) x 63.4 (W) x 6.5 (D) |                              |         |
| Drawer: 1 drawer (cm)           |              | —  | 28.7 (W) x 44 (D) x 12.5 (H) |         |         | —                             | 28.7 (W) x 44 (D) x 12.5 (H) |         |
| Main unit weight (kg)           |              | 19   | 17                           | 18      | 21      | 21                            | 20                           | 24      |
| Casters                         |              | φ 100mm (quiet type)   |                              |         |         |                               |                              |         |
| Materials and surface finishing |              | Tray, grip, drawer, size panel: PP (polypropylene)                           |                              |         |         |                               |                              |         |
|                                 |              | Supportive bars: Steel (melamine resin coating)                              |                              |         |         |                               |                              |         |
|                                 |              | Dust holder, accessory holder, cable holder: Steel PE (polyethylene) coating |                              |         |         |                               |                              |         |
|                                 |              | PC sheet: Polyethylene foam  |                              |         |         |                               |                              |         |
| Maximum loading weight (kg)     |              | 60   |                              |         |         |                               |                              |         |

## 7 REGULAR INSPECTION AND DAILY MAINTENANCE

### 1. REGULAR INSPECTION

- To ensure safe use, inspect the product (at least once a year). The product exhibits wear and deterioration according to the frequency and conditions of use. Inspect for loose parts, the operation of casters, and the presence of damage regularly.
- If you notice an irregularity or want a detailed inspection, contact your dealer or Paramount Bed dealer.

### 2. DAILY MAINTENANCE

#### ■ To remove dirt from parts



Complete steps (1) to (3) listed below.

- (1) Wipe off parts using a soft cloth soaked in a neutral cleaning solution lightly diluted with water that has been wrung out to remove excess fluid.
- (2) Ring out as much moisture from the cloth as possible and then wipe up any remaining cleaning solution residue.
- (3) Use a dry cloth to thoroughly wipe away any leftover moisture.

#### ■ Disinfecting parts

Use one of the cleaning solutions listed below at the specified concentrations, making sure to follow the instructions in the manual or other materials available for the cleaning solution.

- 76.9% - 81.4% ethanol for disinfection
- 0.05% - 0.2% benzalkonium chloride (e.g. Osvan)
- 0.05% - 0.2% benzethonium chloride (e.g. Hiamine)
- 0.05% chlorhexidine gluconate (e.g. Hibitane)
- 0.02% - 0.05% sodium hypochlorite (e.g. Milton)

|  |   |   |
|--|---|---|
|  <b>CAUTION</b> | <ul style="list-style-type: none"> <li>● Do not use volatile cleaning fluids (such as paint thinner, benzene, or gasoline) and cresol. Discoloration or deterioration could result.</li> <li>● Do not use cleaning solutions other than those listed above with the product. Damage or deterioration could result.</li> <li>● Thoroughly dry off parts after using a neutral cleaning solution. Failure to do so could cause resin parts to crack.</li> </ul> |  |
|--|---|---|



- Do not use a fluorescent brightener. A change in gloss or discoloration could result.
- The product cannot be used with an ozone sterilizer, an autoclave, etc.

## **8 LONG-TERM STORAGE**

---

- The following precautions should be observed when the wagon will not be in use for an extended period of time.
  1. Do not place any objects on the wagon. Do not put anything in the drawer other than the provided partition board.
  2. Do not store the wagon in a location subject to high temperatures or humidity, low temperatures, dryness or excessive dust.  
The storage temperature and humidity environment should be 10 - 50°C, and 30 - 90% RH, respectively.
  3. Store the wagon in a level location with all casters locked.
  4. Keep the instruction manual in a safe place so that they do not become lost.

## **9 AFTER-SALES SERVICE**

---

### **Questions regarding after-sales service**

For any queries or when requesting repairs, contact your dealer or Paramount Bed dealer.

#### ■ **Details necessary when requesting repair**

Product name, model number, product ID label number (See "INTENDED USE / PART NAMES" on p.2)

Date of purchase      Details of fault or problem (please provide as much detail as possible)

Your name, organization, address, and phone number



PARAMOUNT BED