

C.D.RICH®

EVACUATED TUBE

Single-use Blood Collection System

K3EDTA

2mL Draw

13X75mm

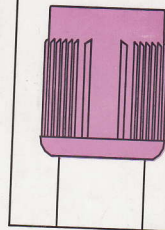
1200PCS

LOT 16121215

201806



IVD



CHENGDU RICH SCIENCE INDUSTRY CO.,LTD.

Add: No.66 Tianqindong Street, West Hi-Tech Development Zone, Chengdu, P.R.C.611731

Tel: +86-28-66679718

Email:315@cdrich.com

C.D.RICH®

EVACUATED TUBE

Single-use Blood Collection System

Lithium Heparin

3mL Draw

13X75mm

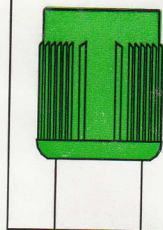
1200PCS

LOT 16121240

201806



IVD



CHENGDU RICH SCIENCE INDUSTRY CO.,LTD.

Add: No.66 Tianqindong Street, West Hi-Tech Development Zone, Chengdu, P.R.C.611731

Tel: +86-28-66679718

Email:315@cdrich.com

C.D.RICH®

EVACUATED TUBE

Single-use Blood Collection System

3.8% Buffered cit.Na(1:9)

2mL Draw

13X75mm

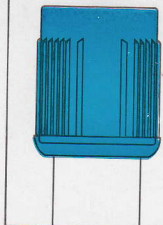
200PCS

LOT 13102211

201410



IVD



CHENGDU RICH SCIENCE INDUSTRY CO., LTD.

Add: No.66 Tianqindong Street, West Hi-Tech Development Zone, Chengdu, P.R.C. 611731

Tel: +86-28-66679718

Email: 315@cdrich.com

C.D.RICH[®]
EVACUATED TUBE

Single-use Blood Collection System

Clot Activator

3 mL Draw

13x75 mm

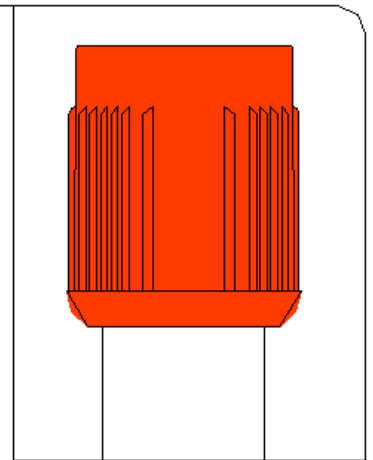
1200 PCS

LOT 17070607

20190105



IVD



CHENGDU RICH SCIENCE INDUSTRY CO.,LTD.

Add: No.66 Tianqindong Street, West Hi-Tech Development Zone, Chengdu, P.R.C. 611731

Tel: +86-28-66679718

Email:315@cdrich.com