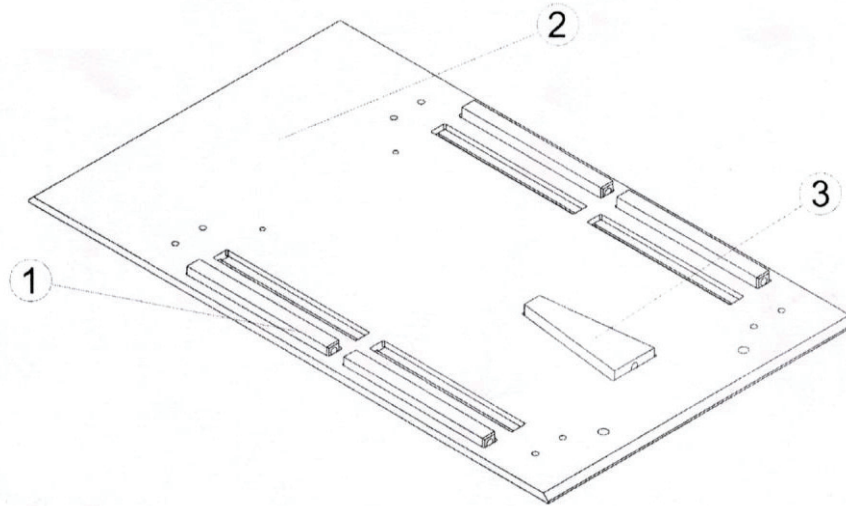


## THIẾT BỊ GIỮ MẶT NẠ NGỰC, KHUNG CHẬU



**Klarity**

BETTER PRODUCTS for BETTER CARE

Item No. : R605-B

Description: MULTIFIX BASEPLATE

Lot: A605192

Website: [www.klaritymedical.com](http://www.klaritymedical.com)

E-mail: [sales@klarity-medical.com](mailto:sales@klarity-medical.com)

