

FULLY AUTOMATIC CHANGEOVER DEVICE MODEL FM-A (ANALOG TYPE)

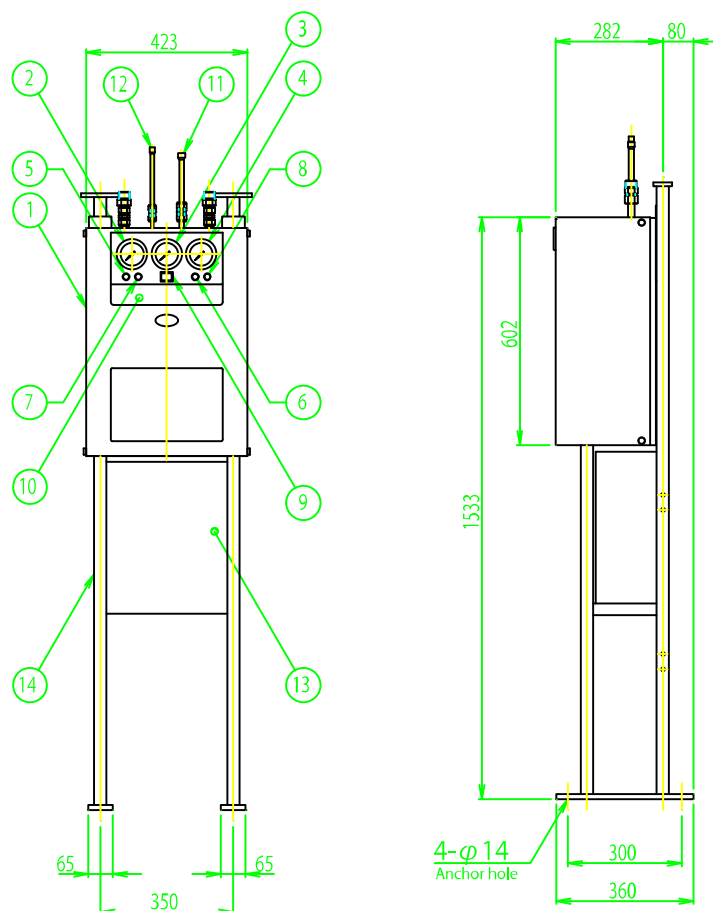


OVERVIEW

The Fully Automatic Changeover Device model FM-A is a unit that reduces the pressures of the gases from high pressure gas cylinders on the right and left banks to specified values and supplies the gases to each of the outlets in a hospital. Gas cylinders are placed on either side (bank) of the device (right and left). The source pressures of the gas cylinders on both banks and the pressure of the gas transfer pipe after pressure reduction are detected continuously by sensors and digitally displayed on the display panel. When the gas cylinder in use becomes empty, the "EMPTY" lamp is lit on the display panel. Simultaneously all information signals are fed to the central monitor.

■ NAMES AND SPECIFICATIONS

*Appearance



No.	Name	No.	Name
1	Automatic changeover device	8	“Empty” lamp (Right bank)
2	Pressure gauge (Left bank)	9	“Abnormal” lamp
3	Pressure gauge (Supply)	10	Gas name plate
4	Pressure gauge (Right bank)	11	Pipe connection
5	“In-use” lamp (Left bank)	12	Safety release pipe connection
6	“In-use” lamp (Right bank)	13	Power supply box
7	“Empty” lamp (Left bank)	14	Manifold body stand

Specification

Weight of main body	Approx. 36kg	
Outlet pressure (feed air pressure)	Oxygen: 0.43MPa	
	Nitrous oxide/Air/Carbon dioxide: 0.4MPa	
	Nitrogen/High Air: 0.9MPa	
Max. working flow rate (under standard condition)	Model FMG-A	30m ³ /h (at 0.05MPa pressure drop at outlet pressure)
	Model FML-A	12m ³ /h (at 0.05MPa pressure drop at outlet pressure)
	Model FMN-A	70m ³ /h (at 0.2MPa pressure drop at outlet pressure)
Gas applied	Model FMG-A	Oxygen, Air
	Model FML-A	Nitrous oxide, Carbon dioxide
	Model FMN-A	Nitrogen/High Air
Output signal	Analog signal	

* Specification and appearance shall be subject to change without notice.

CENTRAL UNI CO.,LTD.

Head office : 2-3-16 Nishikanda, Chiyoda-ku, Tokyo, Japan 101-0065 /TEL : +81-3-3556-8122 /FAX : +81-3-3556-1572

International department : 5-1-1Maigaoka, Kokuraminami-ku, Kitakyushu, Fukuoka, Japan 802-0823 /TEL+81-93-963-8331/FAX : +81-93-963-8291

Branches : Hokkaido/Tohoku/Tokyo/Nagoya/Osaka/Hiroshima/Kyushu

Factory : Kokura(Fukuoka)

URL : <http://www.central-uni.co.jp>

