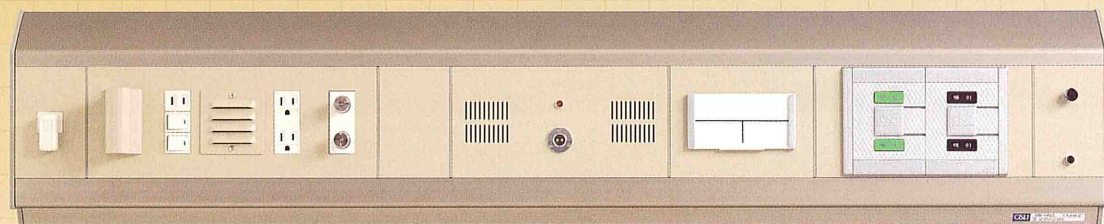
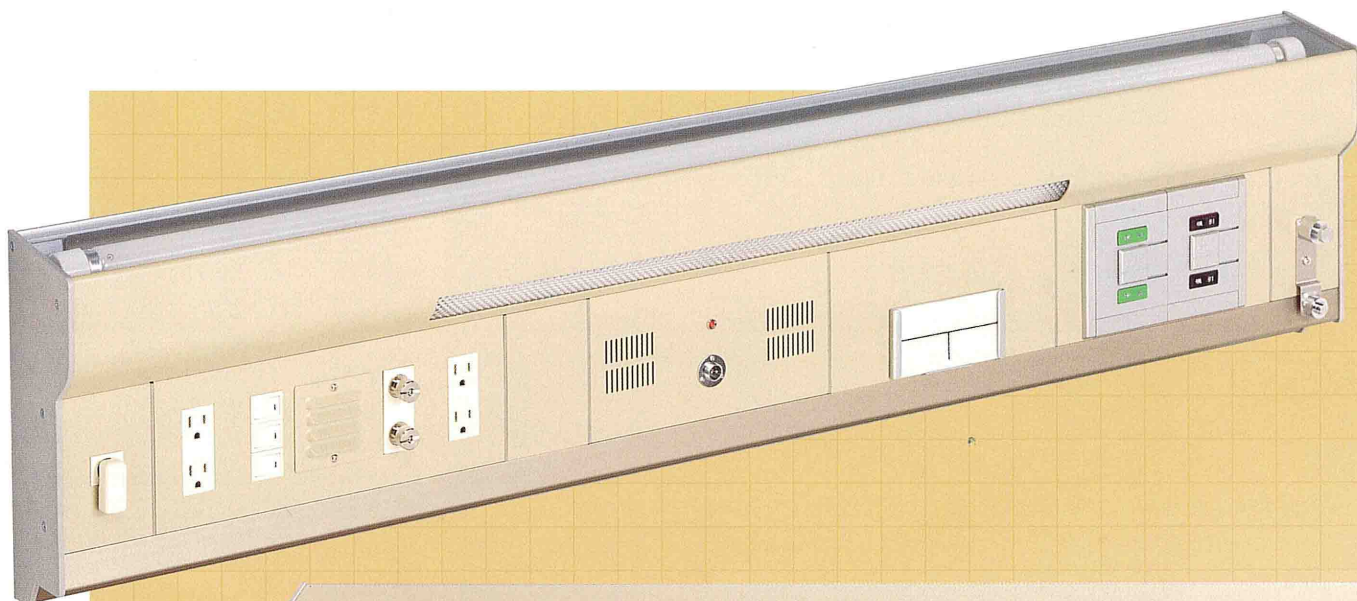


UNI MODULE UM-6602

WALL-CARE SYSTEM for GENERAL WARDS



(Photo the Top) FULL UNIT WITH READING LIGHT & INDIRECT LIGHT

(Photo the Middle) FULL UNIT WITH READING LIGHT

(Photo the Bottom) FULL UNIT WITH ARM LIGHT

This bedhead unit provides necessary medical gas outlets, nurse call, electric sockets and lighting units at a functional position, taking into account sizes of the room, number of beds and class of the care. Instead of NSV type medical gas outlets shown above, CPS type medical gas outlets shown overleaf are also available.

UNI MODULE UM-6602

WALL-CARE SYSTEM for GENERAL WARDS

Features

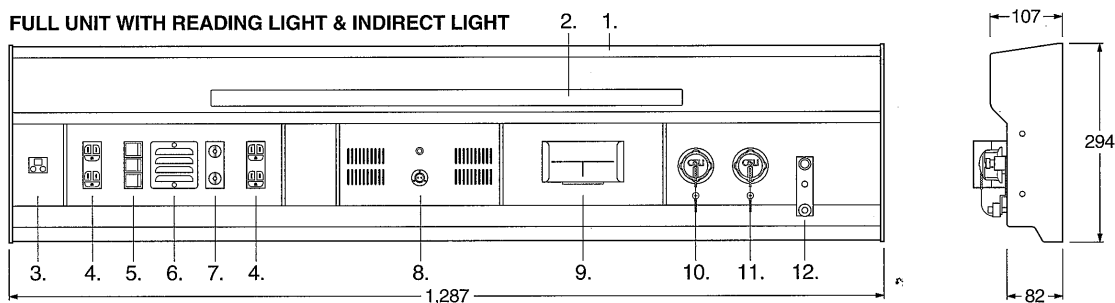
- For patient lighting, arm light types, built-in reading light types and built-in indirect light types are available.
- Kinds and numbers of medical gases, nurse call, aerial terminals, electric sockets, etc. can be arranged according to the purposes of use.
- For safety and maintenance, inner space is divided into three compartments ; for medical gases, high volts and low volts.
- Recessed type units are also available.

Dimensions

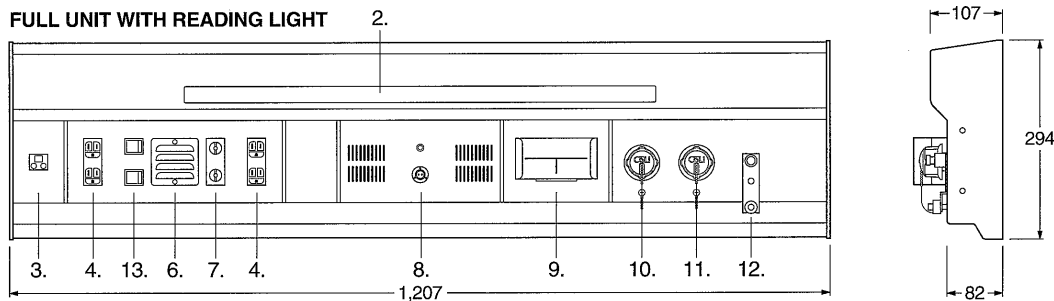
UM-6602 Basic Units

These basic units shall be combined with medial gas units or electric units or sometimes spacer units for an ideal planning.

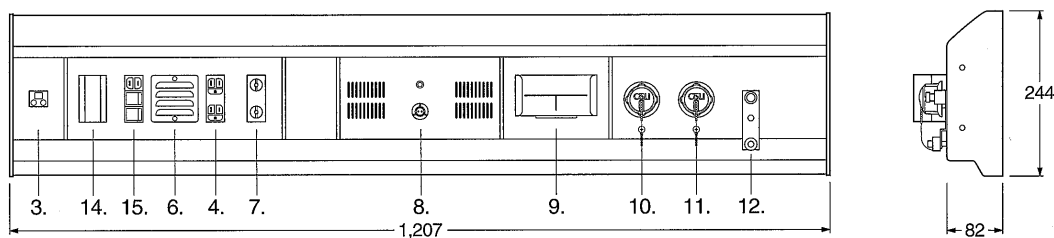
FULL UNIT WITH READING LIGHT & INDIRECT LIGHT



FULL UNIT WITH READING LIGHT



FULL UNIT WITH ARM LIGHT



No. Components

1. Indirect Light
2. Reading Light
3. TV Aerial
4. Double Sockets
5. Switches (Indirect Light, Reading Light and Night Light)
6. Night Light
7. Grounding Terminal

No. Components

8. Nurse Call
9. Patient Card
10. Oxygen Outlet
11. Vacuum Outlet
12. Hook Base
13. Switches for Reading Light and Night Light
14. Arm Light Bracket
15. Socket and Switches for Arm Light and Night Light

* Sizes are in millimeters.

* The appearance and the specifications shall be changed without prior notice.

CENTRAL UNI CO., LTD.

Cat No. BH-002

International Department

5-1-1 Maigaoka, Kokuraminami-ku,

Kitakyushu, Fukuoka, Japan 802-0823

TEL+81-93-963-8413 FAX+81-93-963-8411

Printed in Japan. 2001.10. 3,000 ①