

SolarMax LED56+40 Manual



SolarMax LED56+40 Manual

CONTENTS

1. Objective
2. A range of Application
3. Form and Structure
4. Components of the product
5. Function and using purpose
6. How to operate
7. Pre caution for using
8. The Items mentioned

SolarMax LED56+40 Manual

1. Objective

This quality management proposal is designed for the purpose of the product operating light produced by our company. For the purpose of this proposal, we have included the qualifications, features, manufacture, tests and inspections, label and etc. of the product.

2. A range of Application

This product standard applies to the following products of our company.

Item Category	Medical treatment Device		
Products Name	Article Name	Model Name	
	Operating Light	Solarmax LED56+40 Solarmax LED56 Solarmax LED40	
Classification	A03010.01	Grade	First Class
Manufacturer	Elpis Medical Co., Ltd		
Origin	Republic of Korea		

3. Form and structure

1) Outline

Surgical-use operating light consists of LED lamps that prevents heat rising and shadow on the operating areas by providing a wide range of lightening area to enable precise and successful surgeries.

The LED lamp is designed and made in a function that the use of the light temperature that is closes to that of the natural light and high illumination enables the surgeon to easily distinguish nerves, cellular tissues and blood.

SolarMax LED56+40 Manual

2) Appearance Picture

① SolarMax LED56+40



② SolarMax LED56

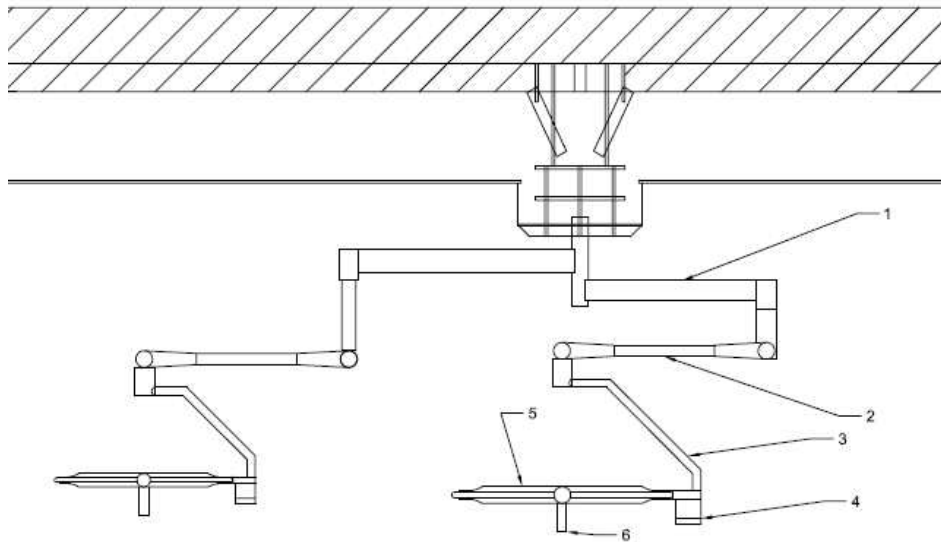


③ SolarMax LED40



SolarMax LED56+40 Manual

3) Appearance Structure and Description



- ① Extension Arm: Consists of main light and sub light two parts, attached to the anchor plate that is fixed on the ceiling, supports the weight of the operating and provides the operating light with mobility
- ② Spring Arm :The device that connects extension arm and spring arm, the spring arm provides up and down mobility while giving the control to adjust weight balance
- ③ Arm bar : The housing and controls the angle of housing through the connection of upper end.
- ④ Control box :The switch of housing lamp, controls the degree of luminance, on/off and endo.
- ⑤ Lamp housing :Consists of lamp, arm bar, sterile handle, controller and etc, can be adjusted by arm bar to move in all directions flexibly.
The control box is attached to the arm bar.
- ⑥ Sterile handle: A detachable handle that controls the angel of illumination during surgeries:

4) Weight

- ① Solarmax LED56+40 : About 20kg
- ② Solarmax LED56 : About 12g
- ③ Solarmax LED40 : About 8kg

SolarMax LED56+40 Manual

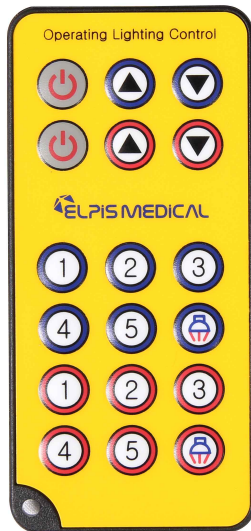
5) Component

① Controller



Shape	Name	Function
	Power Supply button	Lamp power supply ON/OFF switch
	Up/Down button	Illumination up control button Illumination down control button
	Increase button	2step increase /decrease control button
	Change over button	laparoscope change button

② Remote



Shape	Name	Function
	Power supply button	ON/OFF switch
	Main LED light increase /decrease button	Control button that increase /decrease lux with 1 step (10%) transition for main LED light
	Sub LED light Increase /decrease button	Control button that increase /decrease Lux with 1 step(10%) transition for Sub LED light.
	Main LED light 2step Increased /decrease button	Control button that increase /decrease Lux with 2 step transition
	Sub LED light 2step increase /decrease button	Control button that increase /decrease Lux with 2 steps transition
	Change over button	Laparoscope Conversion button

SolarMax LED56+40 Manual

4. Components

SolarMax operating light is consist of upper end, support, lamp housing and control box.

- ① Extension Arm: It is the device which is structured on the anchor plate which supports the weight of the lights as well as provides the mobility.
- ② Spring Arm :The device that connects Upper and housing, the spring within provides up and down mobility while giving the control to adjust weight balance
- ③ Lamp Housing :It is consist of lamp, arm bar, sterile handle, controller arm bar and etc, can be adjusted by arm bar to move in all directions flexibly.
The control box is attached to the arm bar.
- ④ Controller :Attached to the handle part of the housing, can be controlled conveniently with a remote. The controller can be used to adjust the degree of illumination and the on/off of power supply.

5. Specification and Purpose of use

1) Specification

Model	LED 56+40
Lamp diameter	680mm+550mm
Lamp type	convex lens
Maximum Illumination(Lux)	160,000Lux + 120,000Lux
Colour temperature(K)	4,300 ± 100
CRI(colour rendering index)	≥96
Light field diameter	Φ100~300mm
Light field depth	850mm ~1,300mm
Number of LEDs	96(56+40)EA
LED life time	50,000 hours
Touch on/off	Button panel & Remote
Power consumption	115W + 110W
Dimming range	10~100%(10 steps)
Spring Arm	Germany Ondal

2) Purpose of Use

SolarMax LED56+40 Manual

The operating lights in surgery rooms are lightning devices that focuses light rays on destined sections without creating shadows

6. How to use

1) Preparation item before using

- ① Read the instruction book thoroughly beforehand.
- ② Verify and confirm if the electric wire is plugged into the socket.
(Please also make sure the voltage is 220V)
- ③ Assemble the Sterilized handle by pushing it into the focus controller
("Tickle" sound should be heard when successfully assembled)
- ④ Switch on the power supply button on the controller and press the lamp exchange inspection switch to see if the power supply of lamp B is on.

2) Order of Operation and how to use

- ① Press "on" button of the power switch on the controller
- ② Press the illumination control button and adjust the brightness of the operating light.
- ③ Utilize the sterilized handle to adjust the angle of the housing to focus on the operating are of the patient.
- ④ Use the focus control handle to adjust the focal point.
- ⑤ After usage, press the button on the side of the sterilized handle and disassemble the handle form the focus controller.
- ⑥ Press the "off" button of the power switch on the controller

3) After usage and maintenance

- ① Front glass Cleaning
After usage, use dry towel of soft texture to wipe the protection cover of the lamp housing
- ② Housing cleaning
Since dust might accumulate on the surface of the housing, please use a wet clean towel to clean off the dust.

SolarMax LED56+40 Manual

7. Precautions for use

- 1) This product is to be used by doctors, nurse or person with qualification.
- 2) The product must not be disassembled or reformed under any circumstance.
- 3) If the product is damaged, please turn off the power supply immediately and read the manual to check if the damage could be repaired. If repairing method is not stated in the manual, please do NOT take any action and contact us or the after service center that we have provided.
- 4) Please avoid the following locations for installation:
 - * Locations that have a temperature below 0 or above 40
 - * Locations that have an air pressure lower than 700hPa or higher than 1060hPa
 - * Locations that is exposed to toxic gases
 - * Locations that are exposed to steam
 - * Locations that are exposed to high concentration of sand and dust
 - * Locations that have air of high salinity concentration
 - * Locations that might be exposed to strong external shock
 - * Locations that has unstable or varying voltage
 - * Locations that has an oversupply of electric power
 - * Locations that are under direct exposure to sunlight
 - * Locations that has low ventilation
 - * Locations that might be exposed to high humidity
- 5) When cleaning or washing the product, please keep the power supply OFF, prevent water or any foreign substances from entering into the product
- 6) Please do not exert high pressure or strong shock on the product
- 7) Please do not assemble or attach devices or items that are not products provided by our company to the product. (The safety of the product is not guaranteed when other products are being attached or assembled to the product)
- 8) To ensure a safety usage, please make sure the voltage matches with the power voltage of the product before turning on the power supply.

SolarMax LED56+40 Manual

8. The Items Mentioned

1) Manufacturer

Company Name : Elpis Medical Co., Ltd

Address: 16, Saam-gil, Dongnae-myeon, ChunCheon-si,
Gangwon-do, KOREA

2) Production No. and year

① Production No. : Addition mention

② Production Year/Month : Addition mention

3) Production name, Model name, Registration No.

① Name : Operating Light

② Model Name: SolarMax LED56+LED40,
SolarMax LED56 / LED40

③ Registration No : Seoul je shin15-279

4) Weight, Packing unit

① Weight : LED56 : 12kg / LED40 : 8kg

② Packing : 1 set

5) Operation and Caution: mentioned on manual

6) Objective : The operating lights in surgery rooms are lightning devices

7) Storage : average temperature

8) Others : Addition mention

9) This product is medical equipment」

* The entry items are to be pasted to the machine.