


AMNOTEC

INTERNATIONAL MEDICAL

Endoscopy Instruments & Accessories




AMNOTEC International Medical GmbH
take-off GewerbePark 11
78579 Neuhausen ob Eck
Germany

Document number	Revision	Compiled / Amended / Last updated / Date	Checked / Approved / Date - Signature	Page of page (1 / 28)
IFU_7408_01_Endoscopy Instruments & Accessories_en_reu_4.0	4.0	05.06.2020 / HI	05.06.2020 / PE Milorad Perazic	1 / 28



Table of Contents

1. Device Description.....	4
1.1. Intended Use.....	4
1.1.1. Sheaths.....	4
1.1.2. Obturators.....	4
1.1.3. Guides.....	4
1.1.4. Endoscopic Forceps.....	4
1.1.5. Adapters.....	4
1.1.6. Cables.....	4
1.1.7. Evacuators.....	4
1.1.8. Syringes.....	4
1.1.9. Syringe Adapters.....	4
1.1.10. Stone Forceps.....	4
1.1.11. Probes.....	5
1.1.12. Hooks.....	5
1.1.13. Trocars.....	5
1.2. Intended User.....	5
1.3. Contraindications.....	5
2. Available Models and Combination Products.....	5
3. Reprocessing Instructions.....	6
Automated cleaning.....	6
Sterilization.....	7
4. Assembling – Disassembling Instructions.....	7
4.1. Obturator.....	7
4.2. Sheaths with Stopcock.....	8
4.3. Sheaths and Obturators.....	8
4.4. Optical Stone Forceps.....	9
4.5. Forceps and Working Unit.....	10
4.5.1. Disassembling Instructions.....	10
4.5.2. Assembling Instructions.....	10
5. Visual and Functional Inspection-Check.....	11
6. Storage.....	11
7. Repairs.....	11
8. Warranty.....	11
9. Used Symbols.....	12
10. Attached Documents.....	13
10.1. Combination Product.....	13
10.2. Combinations – Rigid HF Monopolar Bipolar Electrodes and Resectoscope System.....	14
10.2.1. Combination Product SL-SR Saline/Bipolar.....	15
10.2.2. Combination Product 11 Fr.....	15
10.2.3. Combination Product 13 Fr.....	16
10.2.4. Combination Product 17.5 Fr.....	16
10.2.5. Combination Product 19 Fr.....	17
10.2.6. Combination Product 27 Fr and Obturator.....	17
10.2.7. N.A.....	18
10.2.8. Combination Product 24 Fr.....	18
10.2.9. Laser Guiding Working Instrument.....	19
10.3. Combinations Products – Flexible HF Bipolar Electrodes.....	20
10.4. Combination Product.....	21
10.5. Combination Products – Cysto-Urethroscopy System.....	22
10.6. Combination Products – Hysteroscopy System.....	24
10.7. Combination Products – Nephroscopy System.....	26
10.8. Combination Products – Arthroscopy System.....	28
10.9. Combination Products – Lithotripsy System.....	29



Adapters:	Obturator:		Trocars:
74-006-00	74-002-15	74-842-13	65-224-21
74-101-00	74-002-16	75-001-05	65-224-31
74-101-01	74-002-17	75-101-05	
74-101-02	74-002-19	75-105-05	
74-110-30	74-002-21	75-106-05	Cables:
74-790-00	74-002-23	75-118-05	73-890-03
74-900-03	74-002-25	75-201-05	73-891-03
74-990-05	74-003-17	75-210-05	73-892-03
74-990-10	74-003-19	75-211-05	73-892-05
	74-003-21	75-214-05	74-390-90
	74-003-23		74-391-03
Stone Forceps:	74-003-25		74-391-05
74-110-00	74-005-01		74-391-90
74-120-00	74-110-24		74-392-03
74-754-38	74-110-25		74-392-05
	74-380-19		74-392-90
	74-380-24		
Evacuators:	74-380-27		
74-900-00	74-380-85		Sheaths:
74-900-01	74-380-88		74-500-15
74-900-02	74-380-90		74-502-15
	74-381-19		74-510-21
	74-381-24		74-514-21
Preparation, Hooks:	74-381-27		74-515-21
75-320-24	74-381-85		74-516-21
75-321-24	74-381-90		74-871-11
	74-382-24		74-871-13
	74-382-27		74-875-11
Preparation, Knives:	74-382-90		74-875-13
75-323-24	74-383-24		
75-324-24	74-383-27		
75-325-24	74-401-23		Obturator:
	74-402-23		74-501-15
	74-709-24		74-511-21
Syringes:	74-720-26		74-512-21
10-864-15	74-732-24		74-513-21
	74-739-26		74-872-13
	74-802-08		
Probes:	74-802-10		
74-704-30	74-802-11		Guides:
74-741-00	74-802-13		74-503-15
74-741-01	74-842-11		
			Forceps:
			74-408-00

REF



1. Device Description

AMNOTEK's devices are used during endoscopic procedures embracing several fields such as arthroscopy, cystoscopy, hysteroscopy, lithotripsy, nephroscopy, resectoscopy, urethroscopy, urology and urethrotomy.



Carefully read these instructions before using AMNOTEK Instruments. Keep them in a safe place for future reference.

1.1. Intended Use

1.1.1. Sheaths

The sheaths are endoscopic components. They are element shaped as a thin metal tube through which other elements are introduced and assembled to create the complete operative endoscopic unit.

1.1.2. Obturators

The obturators are endoscopic components. They are devices with a distally rounded head or end that are placed into the sheaths of a rigid endoscope in order to fill out the sheath's lumen (open end), thereby assisting their insertion into the body and protecting against adverse damage to the patient.

1.1.3. Guides

The guides are endoscopic components. They are elements used to assist the entry of the endoscopic devices into an appropriate rigid endoscope.

1.1.4. Endoscopic Forceps

The forceps are used to obtain specimens for histological/pathological diagnosis during endoscopy. It is introduced into the body cavity through an artificial orifice of the body or the working channel of the endoscope.

1.1.5. Adapters

The adapters are connecting devices, used to join two or more pieces of apparatus or device components, or make them compatible so that they mate together.

1.1.6. Cables

The cables are devices that function as conductors between the electro-surgical unit and the electrodes.

1.1.7. Evacuators

The evacuators are devices used in conjunction with and assist the use of an endoscope. The evacuator is connected to an endoscope and used to remove tissue, residues and concretions.

1.1.8. Syringes

The syringes are used to withdraw fluids during surgical procedures.

1.1.9. Syringe Adapters

The syringe adaptors are used to connect components to syringes.

1.1.10. Stone Forceps

A stone forceps is a surgical instrument intended to be used to grasp and/or manipulate urological or biliary stones to remove them.



1.1.11. Probes

The probes are devices that are designed to be used for exploratory purposes.

1.1.12. Hooks

The hooks are surgical instruments designed to hold or grasp tissues during surgical procedures.

1.1.13. Trocars

The trocars are components intended for the puncturing of body cavities in connection with endoscopy.

1.2. Intended User

The products must be used only in medical facilities by trained and skilled medical personnel. The products must not be used if according to a qualified physician, the general condition of the patient is not adequate or if the endoscopic methods are contraindicated.

1.3. Contraindications

The devices are contraindicated for all the intended uses, other than the ones claimed by manufacturer. The devices are to be neither used in contact with central circulatory system nor with central nervous system.

Do not use the devices if one or more below reported condition is present:

- Acute inflammation of the abdominal area
- Urinary tract infection
- Coagulation disorder



Surgical patients identified as at-risk for Creutzfeldt-Jakob disease (CJD) and related infections should be treated with single-use instruments. Therefore, devices that have been in use or suspected of use on a patient with CJD after surgery must be disposed according to current national recommendations.



Improper use can lead to hazardous situations

2. Available Models and Combination Products



Please refer to section "Attached Document" for further information



An incorrect combination of products can lead to injury for patients, users or third parts as well as product damage.

3. Reprocessing Instructions

Point of use

- Wipe excess soil from the instrument using disposable paper towels or lint free cloth.
- If an automated reprocessing method will be used, rinse any channels in the instrument with sterile distilled water immediately after use.

Containment and transportation

- Reprocess the instrument as soon as reasonably practical following use.

Automated cleaning

Brush/Rinse

- Thoroughly rinse the instruments under cold running tap water ($\leq 23^{\circ}\text{C}$) and use a soft-bristled brush and an appropriately sized lumen brush to remove all visible soil.
- While rinsing and brushing, actuate all moveable parts to ensure contact with all areas.

Ultrasonic cleaning

- Prepare an enzymatic detergent¹ in an ultrasonic cleaner² according to the manufacturer's recommendations.
- Fully immerse the instruments into the prepared detergent, flush each lumen with the detergent solution and actuate all moveable parts (e.g. lever of the stopcocks, locking lever/button, grip of the optical forceps and the turning wheels of the Albarran).
- Allow the instruments to sonicate for a minimum of 10 minutes.

Brush/Rinse

- Thoroughly rinse the instruments under cold running tap water ($\leq 23^{\circ}\text{C}$, 60 ml per lumen) and use a soft-bristled brush and an appropriately sized lumen brush to aid in rinsing.
- While rinsing and brushing, actuate all moveable parts (e.g. lever of the stopcocks, locking lever/button, grip of the optical forceps and the turning wheels of the Albarran) and flush each lumen with a syringe filled with tap water (120 ml per article or 60 ml per lumen).

Automated wash

- Place the instrument in an automated washer³ on an incline to facilitate drainage.
- Program the washer with the following parameters, then activate the wash:

Phase	Recirculation Time	Water temperature	Detergent Type
Pre-Wash	min. 3 minutes	Cold tap water ($\leq 23^{\circ}\text{C}$)	N/A
Wash 1	min. 2 minutes	55 °C	Enzymatic Detergent ⁴
Rinse 1	min. 1 minute	43°C	N/A

Drying

- Dry the instruments completely with lint free cloths and filtered pressurized air (20 psi / 1400 hPa) prior to sterilization.

Inspecting

- Visually inspect the instrument, including all internal surfaces, for remaining soil.

If soil remains, repeat manual or automated cleaning procedure, focusing on those areas

¹ The detergent Neodisher®MediClean forte of Dr. Weigert was used for the validation.

² The ultrasonic cleaning was validated with Branson 8800 ultrasonic cleaner.

³ The automated cleaning was validated with the STERIS® Reliance® Genfore™ washer/disinfector. For use with another washer/disinfector make sure, that it is also in compliance with EN ISO 15883-2.

⁴ The detergent Neodisher®MediClean forte of Dr. Weigert was used for the validation.



Maintenance, inspection and testing

- Inspect the instrument on a continual basis. If a problem is observed or suspected, the instrument should be returned for repair.
- Inspect all components for cleanliness. If fluid or tissue build-up is present, repeat the above cleaning and disinfection procedures.

Sterilization

In order to ensure the sterility, disassemble the stopcocks of the sheaths and Albarrans before autoclaving. For disassembly of the stopcocks prior to sterilization refer to Section 4.2 "Assembly of Stopcock".

After performing the cleaning instructions specified above, perform the following sterilization cycle:

Steam

	Pre-vacuum ³
Wrapping	Double
Temperature	Min. 132°C (min. 270°F)
Time	min. 3 minutes*
Dry Time	50 minutes Warning: Drying time depends on several variables, including: altitude, humidity, type of wrap, preconditioning, size of chamber, mass of load, material of load, and placement in chamber. Users must verify that drying time set in their autoclave yields dry surgical equipment.

*18 minutes is the maximum time that should be used for the Pre-vacuum cycle.

NOTE: Rapid cooling, or "quenching," the instruments after autoclaving will result in product damage.

After sterilization, re-assemble the stopcocks as described in Section 4.2 "Assembly of Stopcock" under sterile conditions.

Packaging

The instruments are delivered non-sterile in sealed plastic or in a protective box/foam packaging. Transport packaging is not suitable for sterilization.

4. Assembling – Disassembling Instructions

4.1. Obturator

To remove an obturator from the sheath with the Quick-Lock-Device:

- Press the button to release the quick-lock device
- Insert the obturator, lining-up the arrow markings on the sheath and the obturator
- Lock in gently by pushing until the locking device clicks in

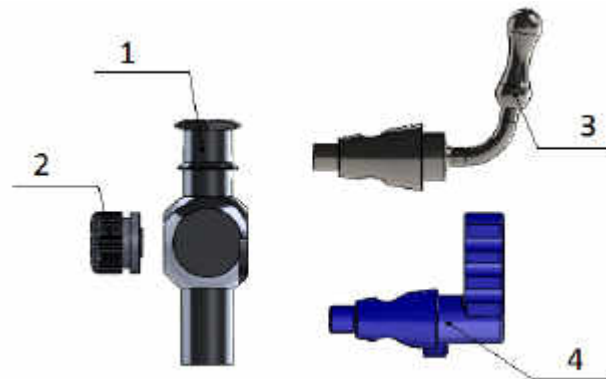


To remove the obturator from the sheath with the locking-device:

- Turn the lever anti-clockwise
- Insert the obturator, lining-up the arrow markings on the sheath and the obturator
- Lock in by turning the lever clockwise.

³ The sterilization validation was validated with the STERIS AmSCO® Lab 250 sterilizer.

4.2. Sheaths with Stopcock



Disassemble the stopcock from the housing (1) by un-screwing the thumbscrew (2) from the stop-cock plug (3 → stainless steel, 4 → plastic)

4.3. Sheaths and Obturators



Lithotripsy sheaths and corresponding obturators are color coded blue. To remove the obturator from the sheath:

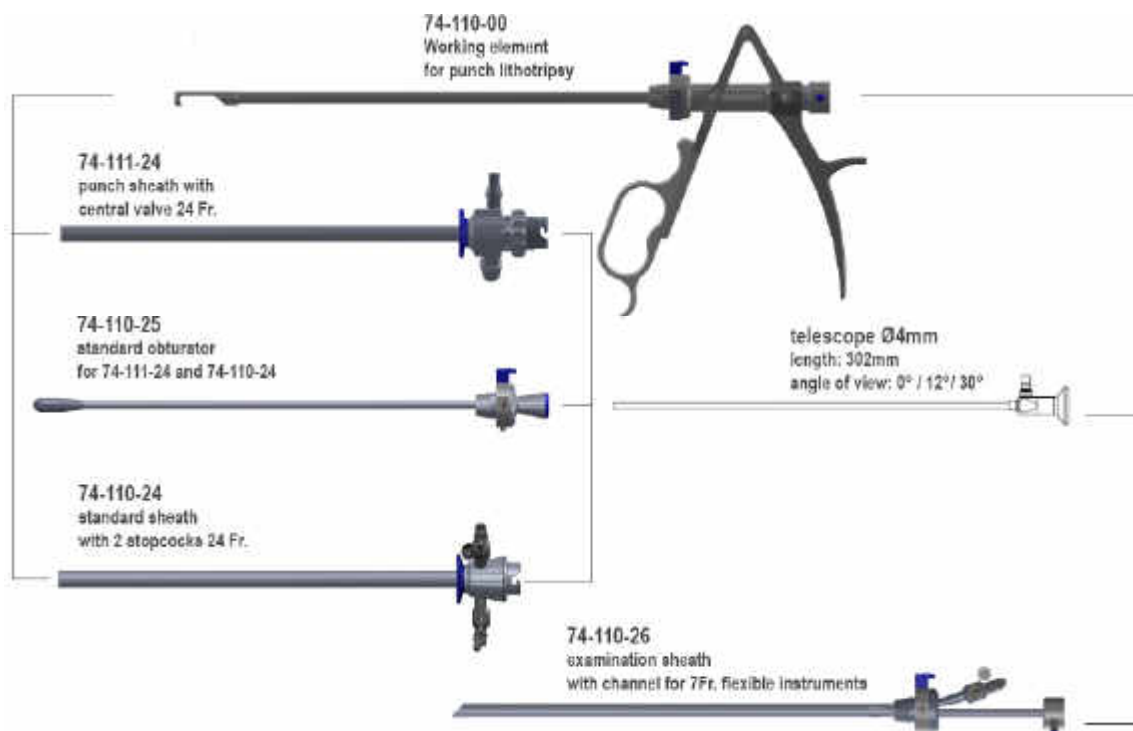
- Press the button to release the quick-lock device
- Insert the obturator, lining-up the arrow markings on the sheath and the obturator
- Lock in gently by pushing until the locking device clicks in



Never use force to insert obturator, it should glide in easily, otherwise check for correct size or that it is correctly aligned.

- Adapter can be attached using the same technique with the alignment arrows

4.4. Optical Stone Forceps



The lithotripsy punch and the examination sheath can be introduced into either of the sheaths, by aligning the arrows markings. Flexible instruments or catheters with a minimum length of 340mm can be introduced in the working channels of the instruments. The gauge of the instrument channel opening is marked on the instrument and determines which size of flexible instrument or catheter is compatible.



Assembly:

i > In order to ensure sterility, only use grease⁶, which is suitable for medical instruments for the stopcock.

- > Lubricate stopcock (3 or 4) on the running surfaces with a thin layer of grease (3 → stainless steel, 4 → plastic).
- > Mount stopcock and fix with stopcock nut (2).
- > Remove excess grease.
- > For sterilization disassemble stopcock
- > Put each part (1, 2, 3 or 4) into the sterilization tray.

Disassembly:

- > Loosen stopcock nut (2).
- > Disassemble stopcock (3 or 4)



Irrigation tubing can be applied directly to the stopcocks or use a luerlock connector with tubing spout as in illustration above.

⁶ The AMNOTEK standard lubricant for stopcocks was used for the sterilization validation

4.5. Forceps and Working Unit

4.5.1. Disassembling Instructions

- Release the inner sheath, by pressing the proximal quick-lock button (1) (see illustration 1)
- Remove the inner tube (3) by grasping the forward jaw and pulling away from the handle. (see illustration 1)
- Release the outer sheath (4) by pressing the distal quick-lock button (2) (see illustration 2)
- Remove outer sheath (see illustration 2)



Illustration 1: removing inner sheath

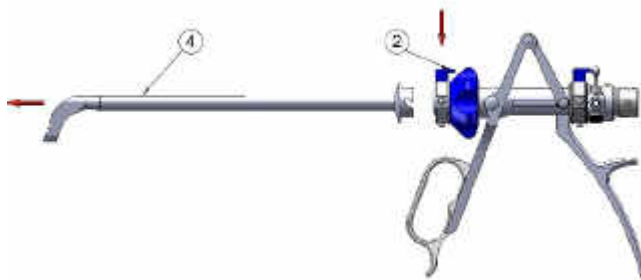


Illustration 2: removing outer sheath

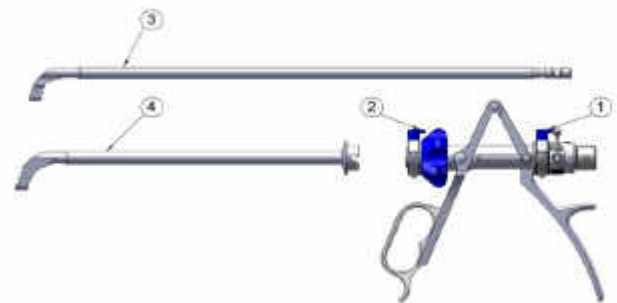


Illustration 3

4.5.2. Assembling Instructions

- Insert the Outer sheath (4) into the distal quick lock (2), aligning the arrow with the click button, the quick lock will click into place (see illustration 2)
- Insert the inner sheath (3) distally through the outer sheath aligning the jaws until it clicks into the proximal quick locking device (see illustration 1)
- Introduce a compatible 4mm telescope into the scope channel of the lithotripter. Turn the locking device clockwise to lock in.
- Attach tubing's to the stopcocks according to use.
- The lithotripter is a safe and easy to use instrument for stone crushing. Using the screw mechanism, the strength of the jaws can be increased to crush especially hard stones.
- The jaws of the lithotripter should be closed when introducing or removing the instrument into or from the opening to insure an atraumatic procedure.
- Use the handle action to grasp or crush stones. Should more strength be required to crush the stone, first grasping the stone using the handle action then slowly continuously turning the screw mechanism sufficient pressure will be generated to crush the stone.



When introducing and removing these instruments from any sheath, the jaws should be closed, and the deflecting ramp should be in resting position.

5. Visual and Functional Inspection-Check



New medical products have to be inspected thoroughly visually and functionally after delivery and prior to each use

- Prior to subsequent use, products should be visually examined for bent, broken or loose parts, damaged insulation, fissures, scratches as well as worn out or cracked parts
- Check that function is as described in the instructions
- Damaged or faulty products should not be used and should be taken out of circulation immediately
- Damaged parts should be immediately replaced by original manufacturer parts

6. Storage

AMNOTEK instruments and accessories must be stored until subsequent use in a suitable sterilization container for steam sterilization according to the standards.



Keep away from sunlight



Keep dry



Read carefully the reprocessing instructions

The storage room has to be dust-free, of low microbiological contamination, dark and free of temperature fluctuations.

7. Repairs

In spite of application in compliance with intended use, medical products are subject to variable wear and tear depending on the intensity of the application. Wear is technically inevitable.






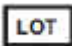
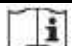





- Do not repair. Service and repairs must be carried out by the manufacturer or by authorized personnel
- Medical products have to be cleaned, disinfected and sterilized prior to sending for repair. Soiled or contaminated medical products should not be shipped.

8. Warranty

This product is guaranteed against defects in workmanship and material. In the event of defects under guarantee, the product will be repaired, replaced or the charges refunded at the manufacturer's discretion.

Repairs, attempted repairs, alterations or other tampering of this product carried out by unauthorised personnel renders the guarantee invalid.

9. Used Symbols

Symbol	Description
	Symbol for "Manufacturer" Legal Manufacturer:  AMNOTEK International Medical GmbH take-off GewerbePark 11 78579 Neuhausen ob Eck GERMANY +49 (0) 7467 42297-0 www.amnotec.de
	German Product Description
	Symbol for "Catalogue Number"
	Symbol for "Quantity"
	Symbol for "Batch Code"
	Symbol for "Consult the Instruction for Use"
	Symbol for "Conformity to the essential requirements and CE Marking"
	Symbol for "Non-Sterile"
	Symbol for "Caution, consult accompanying documents"
	Symbol for "Keep dry"
	Symbol for "Keep away from sunlight"





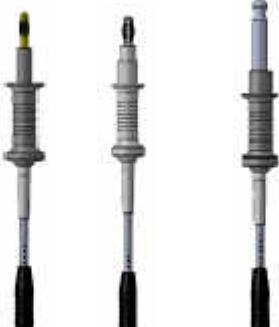
10. Attached Documents

10.1. Combination Product

Sheaths	Obturator s	Guides
74-500-15 74-502-15 74-510-21 74-514-21 74-515-21 74-516-21 74-871-13 74-871-13 74-875-11 74-875-13	74-501-15 74-511-21 74-512-21 74-513-21 74-872-13	74-503-15



10.2. Combinations – Rigid HF Monopolar Bipolar Electrodes and Resectoscope System

Electrodes	Sheaths	Working Elements	Obturator	Cables
				



10.2.1. Combination Product SL-SR Saline/Bipolar

Electrodes	Sheath and Obturator	Working Element	Cable
74-310-85	74-341-24	74-300-85	74-390-90
74-310-90	74-341-26	74-300-89	74-391-90
74-310-92	74-351-24	74-300-90	74-392-90
74-311-85	74-351-26	74-300-99*	
74-311-90	74-351-90	74-305-85	
74-312-85	74-351-92	74-305-89	
74-312-90	74-361-24	74-305-90	
74-313-85	74-380-24		
74-313-90	74-380-90		
74-314-90	74-381-24		
74-315-85	74-381-90		
74-315-90	74-382-24		
74-317-85	74-382-90		
74-317-90	74-383-24		
74-319-90			
74-320-90			

10.2.2. Combination Product 11 Fr

Electrodes	Sheath and Obturator	Working Element	Cable
74-850-11	74-841-11	74-830-00	74-390-03
74-851-11	74-842-11		74-390-05
74-852-11			74-391-03
74-853-11			74-391-05
74-854-11			74-392-03
			74-392-05

10.2.3. Combination Product 13 Fr

Electrodes	Sheath and Obturator	Working Element	Cable
74-850-13 74-851-13 74-852-13 74-853-13 74-854-13	74-841-13 74-842-13	74-830-00	74-390-03 74-390-05 74-391-03 74-391-05 74-392-03 74-392-05

10.2.4. Combination Product 17.5 Fr

Electrodes	Sheath and Obturator	Working Element	Cable
74-310-89 74-311-89 74-313-89 74-315-89 74-317-89	74-341-17 74-341-18 74-351-88 74-351-89 74-380-88 74-382-17	74-300-17 74-300-89 74-305-17 74-305-89	74-390-03 74-390-05 74-390-90 74-391-03 74-391-05 74-391-90 74-392-03 74-392-05 74-392-90

10.2.5. Combination Product 19 Fr

Electrodes	Sheath and Obturator	Working Element	Cable
74-310-19	74-331-19	74-300-19	74-390-03
74-311-19	74-341-19	74-305-19	74-390-05
74-313-19	74-341-22		74-391-03
74-315-19	74-351-19		74-391-05
74-317-19	74-351-22		74-392-03
	74-351-85		74-392-05
	74-351-87		
	74-380-19		
	74-380-85		
	74-381-19		
	74-381-85		

10.2.6. Combination Product 27 Fr and Obturator

Electrodes	Sheath and Obturator	Working Element	Cable
74-310-27	74-341-27	74-300-24	74-390-03
74-311-27	74-341-28	74-305-24	74-390-05
74-312-27	74-351-27		74-391-03
74-313-27	74-351-28		74-391-05
74-315-27	74-380-27		74-392-03
74-316-27	74-381-27		74-392-05
74-317-27	74-382-27		
74-318-27	74-383-27		
74-319-27			
74-320-27			

10.2.7. N.A.

Electrodes	Sheath and Obturator	Working Element	Cable
N.A.	N.A.	N.A.	N.A.

10.2.8. Combination Product 24 Fr




Electrodes	Sheath and Obturator	Working Element	Cable
74-310-24	74-341-24	74-300-24	74-390-03
74-311-24	74-341-26	74-305-24	74-390-05
74-312-24	74-351-24		74-391-03
74-313-24	74-351-26		74-391-05
74-314-24	74-361-24		74-392-03
74-315-24	74-380-24		74-392-05
74-316-24	74-381-24		
74-317-24	74-382-24		
74-318-24	74-383-24		
74-319-24			
74-320-24			
74-321-24			

10.2.9. Laser Guiding Working Instrument

Sheath and Obturator	Working Element and Guide
74-341-24	74-405-08
74-341-26	74-405-12
74-380-24	74-420-00
74-380-90	74-425-08
74-351-24	74-425-10
74-351-26	74-425-14
74-351-90	74-427-08
74-351-92	74-427-10
74-381-24	74-427-12
74-381-90	74-427-14
74-382-24	
74-382-90	
74-383-24	
74-361-24	









10.3. Combinations Products – Flexible HF Bipolar Electrodes

Sheath	Electrodes	Obturator	Adapters
			

10.4. Combination Product

Sheaths		Electrodes	Obturator	Cables	Adapters
75-000-00	75-109-00	74-260-05	75-211-05	70-211-30	75-211-00
75-000-30	75-109-30			70-211-50	
75-002-00	75-110-30			70-213-30	
75-002-30	75-111-30			70-213-50	
75-003-10	75-113-30			70-215-30	
75-004-30	75-114-30			70-215-50	
75-005-30	75-116-30			70-217-30	
75-008-30	75-117-30			70-217-50	
75-100-00	75-118-30			70-241-30	
75-100-30	75-119-30			70-241-50	
75-102-00	75-120-30			70-243-30	
75-102-30	75-121-30			70-243-50	
75-103-10	75-200-00			70-245-30	
75-104-30	75-200-30			70-245-50	
75-106-30	75-202-00			70-247-30	
75-107-30	75-202-30		70-247-50		
75-108-30	75-203-10				

10.5. Combination Products – Cysto-Urethroscopy System

Sheaths	Obturator	Forceps and Working Units	Bridges and Adapters	Flexible Electrodes, Baskets	Cables
					

Sheaths, Bridge Adapters		Obturator, Accessories		Forceps	Flexible Electrodes and Baskets		Forceps Adapters	*Cable
Sheaths:	Adapters:	Obturator:	Accessories:		Baskets:	Flexible Electrodes:		
74-001-17	74-006-00	74-002-15	74-110-30	74-100-00	74-270-00	74-250-03	74-006-00	74-390-03
74-001-19	74-101-00	74-002-16	74-900-00	74-100-01	74-270-01	74-250-04	74-101-00	74-390-05
74-001-21	74-101-01	74-002-17	74-990-05	74-100-02	74-270-05	74-250-05	74-101-01	74-391-03
74-001-23		74-002-19	74-990-10	74-100-03	74-270-07	74-250-06		74-391-05
74-001-25		74-002-21		74-100-04	74-271-05	74-250-07		74-392-03
74-004-00		74-002-23		74-100-06	74-271-07	74-250-08		74-392-05
74-004-01		74-002-25		74-100-07	74-272-05	74-250-09		
74-001-15		74-003-17			74-272-07	74-250-10		
74-001-16		74-003-19			74-273-03	74-251-03		
74-004-02		74-003-21				74-251-05		
74-004-15		74-003-23				74-251-07		
74-004-16		74-003-25				74-252-05		
74-004-17		74-005-01				74-252-07		
74-005-01		74-401-23				74-252-09		
74-005-02		74-402-23				74-252-10		
74-005-15		74-802-08				74-253-03		
74-005-16		74-802-10				74-253-04		
74-400-23		74-802-11				74-253-05		
74-403-23		74-802-13				74-253-06		
74-801-08						74-253-07		
74-801-10						74-253-08		
74-801-11						74-253-09		
74-801-13						74-253-10		
74-805-13						74-254-03		
74-806-13						74-254-05		
						74-254-07		
						74-255-05		
						74-255-07		
						74-255-09		
						74-255-10		

10.6. Combination Products – Hysteroscopy System

Sheath	Obturator	Adapters
		








INSTRUCTION FOR USE

Sheaths	Obturator
75-000-00	75-210-30
75-000-30	75-211-00
75-002-00	75-211-01
75-002-30	75-212-30
75-003-10	75-213-30
75-004-30	75-220-00
75-005-30	75-220-30
75-008-30	75-227-30
75-100-00	75-228-30
75-100-30	
75-102-00	
75-102-30	
75-103-10	
75-104-30	
75-106-30	
75-107-30	
75-108-30	
75-109-00	
75-109-30	
75-110-30	
75-111-30	
75-113-30	
75-114-30	
75-116-30	
75-117-30	
75-118-30	
75-119-30	
75-120-30	
75-121-30	
75-200-00	
75-200-30	
75-202-00	
75-202-30	
75-203-10	
75-204-00	
75-204-30	
75-205-00	
75-207-30	
75-208-30	
75-209-30	
75-210-30	
75-211-00	
75-211-01	
75-212-30	
75-213-30	
75-220-00	
75-220-30	
75-227-30	
75-228-30	



INSTRUCTION FOR USE

10.7. Combination Products – Nephroscopy System

Sheaths	Obturator	Forceps	Probes	Adapters
				





INSTRUCTION FOR USE

Sheaths	Obturator	Forceps	Probes	Adapters
74-701-24	74-709-24	74-750-33	74-709-24	74-790-00
74-703-24	74-720-26	74-750-36	74-720-26	
74-704-15	74-732-24	74-750-38	74-732-24	
74-704-16	74-739-26	74-750-42	74-739-26	
74-704-17		74-751-33		
74-704-25		74-751-36		
74-704-26		74-751-38		
74-704-27		74-751-42		
74-704-30		74-752-33		
74-711-26		74-752-36		
74-713-26		74-752-38		
74-716-26		74-752-42		
74-718-26		74-753-33		
74-731-24		74-753-36		
74-736-26		74-753-38		
74-738-26		74-753-42		
74-740-00		74-754-38		
74-740-27				
74-740-30				
74-760-27				



INSTRUCTION FOR USE




10.8. Combination Products – Arthroscopy System

Sheaths	Obturator	Trocars	Adapters
			

Sheaths	Trocars
65-224-10 65-224-16	65-224-21 65-224-31

INSTRUCTION FOR USE

10.9. Combination Products – Lithotripsy System

Sheaths	Obturator	Forceps
		

Sheaths	Obturator	Forceps
74-110-24 74-110-26 74-111-24	74-110-25	74-110-00 74-120-00

