

LOW PRESSURED CONSTANT SUCTION UNIT

CONSTANT-1400

SAFETY

Apply manometer principle to prevent the trouble by pressure.

QUIETNESS

Equipped with a quiet pump resisting continuous operation.

SIMPLICITY

Polluted parts can be cleaned and sterilized easily.

ANTI-POLLUTION MEASURE

A filter can be attached to the unit to prevent the pump from being polluted.

CONFORMITY TO EMC

An electromagnetic interference can be prevented.



SHIN-EI INDUSTRIES, INC.

Adjustable water level sets up the suction pressure, and the features are simple handling, accurate pressure and safety.



- The lid is opened by pushing one-touch button, making dispose of secretion easily.
- A handle is equipped and to carry the bottle easily.
- A wide bottle mouth makes easily cleaning.
- Suction bottle made of polycarbonate resin is much stronger than glass against impact.

Automatic Overflow Prevention Device.



② Negative Pressure Adjusting Bar

① Negative Pressure Adjusting Button

Flow Control Dial

Negative Pressure Adjusting Cylinder

① Negative Pressure Adjusting Button

Pressure Adjustment Range in putting water up to 10cmH₂O in the negative pressure generating cylinder 10~18cmH₂O
Pressure Adjustment Range in putting water up to 8cmH₂O in the negative pressure generating cylinder 8~14cmH₂O (Adjust the water volume with normal)

② Negative Pressure Adjusting Bar

In using the pressure of other than normal pressure, increase or decrease the water volume and move the water pressure adjusting bar up or down.

How to adjust the Negative Pressure



Fold the patient tube and press the Negative pressure adjusting button to adjust water pressure level.



Move the Negative pressure adjusting bar up or down, and the pressure can be adjusted.

SPECIFICATION

Power Source: AC mains, 50 – 60Hz
Consumption Current: 0.015A(at 220V)
Suction Pressure Setting Range: -3~-20cmH₂O
Max. Suction Capacity: 1.2ℓ/min. and/or over
Suction Bottle Capacity: 1,400ml, Polycarbonate resin
Dimensions & Weight: H332 x W375 x D150 mm, 3.15kg



[STANDARD ACCESSORIES]

- ① CATHETER CONNECTOR
- ② PATIENT TUBE WITH INLET-ADAPTER
- ③ BOTTLE COVER WITH FLOAT STOPPER
- ④ BOTTLE HOLDER
- ⑤ SUCTION BOTTLE 1,400ml
- ⑥ BOTTLE PACKING
- ⑦ TUBING BETWEEN COVER AND HOUSING
- ⑧ PTFE SUCTION FILTER
- ⑨ TUBING BETWEEN BOTTLE AND CYLINDER
- ⑩ CAP OF NEGATIVE PRESSURE GENERATING CYLINDER
- ⑪ WATER PRESSURE ADJUSTING BUTTON
- ⑫ NEGATIVE PRESSURE ADJUSTING BAR
- ⑬ NEGATIVE PRESSURE ADJUSTING CYLINDER
- ⑭ CATHETER HOLDER
- ⑮ EXHAUST FILTER



Illumination Lamp(Optional)

● Body Colors and Specifications are subject to change without prior notice.



SHIN-EI INDUSTRIES, INC.

TOKYO, JAPAN

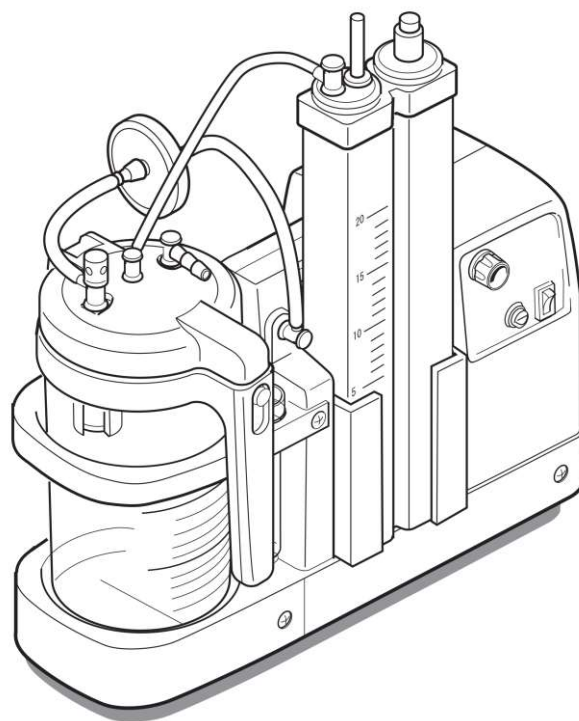


AGENT (DISTRIBUTOR)

LOW-PRESSURED CONSTANT SUCTION UNIT

CONSTANT 1400

User's Manual



Thank you very much for choosing a low-pressured constant suction unit, **CONSTANT 1400**. Read this manual well before using this unit so that you can use it correctly. After reading it, keep it near you to read it any time whenever necessary.